

Oil Caddy

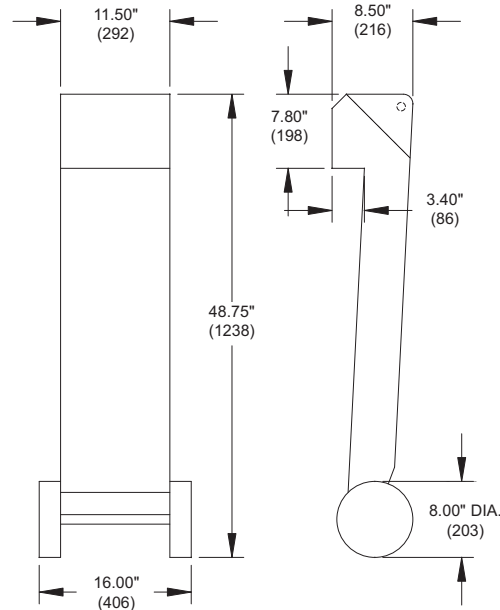
- **Safe and convenient** – way to transport used oil from your pressure fryer to where it may be properly disposed of.
- **Unique design** – fits easily under any model Broaster pressure fryer. Also works with most open fryers.
- **Easy oil disposal** – allows oil to be drained from fryer in a single trip, for fast, easy disposal.
- **Reduced cleanups** – since oil is contained inside the Oil Caddy there is no spilling or overflowing, thus reducing cleanups.



Safe, convenient, and easy to use!



Oil Caddy



Inches
(Millimeters)

SPECIFICATIONS

COOKING OIL CAPACITY	OVERALL DIMENSIONS			NET/SHIP WEIGHT
	W	D	H	
70 lbs. (31.75 kg)	16" (406)	48.75" (1238)	8.5" (216)	23/27 lbs. (12.25 kg)

ADDITIONAL FEATURES

- Made using a thick gauge aluminum (0.11") with double walled seams.
- Perforated baffle screen helps to prevent splashing while the oil is draining into Oil Caddy.
- Two hardwood handles at both ends of the Oil Caddy help to minimize heat transfer from the oil.
- Two eight inch wheels make transporting the oil easier than ever.

